



All Season Highway Light Truck and SUV



ENDURO H/T



Highway Terrain



Symmetrical

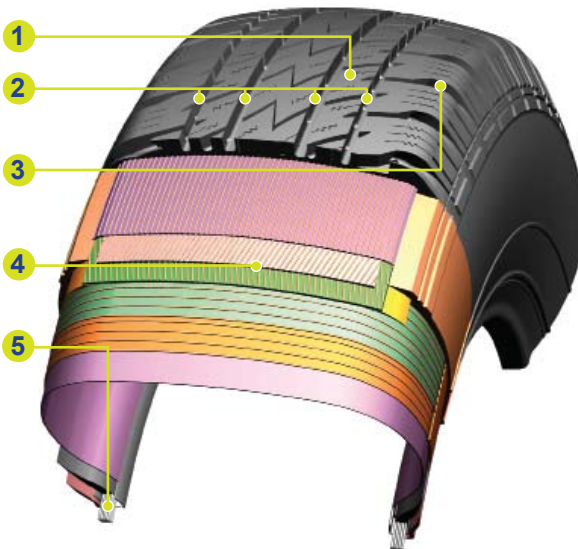


All Season

⊗ Rim range: 15-20

⊙ Aspect Ratio: 60-85

⊙ Speed rating: R-T



* See warranty brochure for details

Features	Benefits
1 Modern "S" shape pattern with variable pitch shoulder design	▶ Provides superb handling and smooth quiet performance
2 Four circumferential grooves and open shoulder slots	▶ Prevents aquaplaning for excellent wet performance
3 Special tread compound and wide shoulder slots	▶ Enhances tread life and provides consistent wet and dry traction
4 Ultra strong structural design	▶ Provides reliability and durability
5 High-tension bead	▶ Provides excellent load bearing, steering and cornering



ENDURO H/T

Size range

AR	Tire Size	LI	SR	UTQG \LR	Approved Rim	Rim Width Range	Max. Load		Max. Pressure		Tread Depth		Overall Diameter		Section Width		Side Wall
							lbs	kg	psi	kpa	32 nd	mm	inch	mm	inch	mm	
60	P275/60R17	110	T	460AB	8J	7 1/2J;8 1/2J;9J	2337	1060	35	240	13	10.3	30.0	762	11.0	279	OWL
	P275/60R20	114	S	460AB	8J	7 1/2J; 8 1/2J;9J;9 1/2J	2601	1180	44	300	13	10.3	33.0	838	11.0	279	BSW
65	P235/65R17	103	T	460AB	7J	6 1/2J;7 1/2J	1929	875	35	240	13	10.3	29.1	738	9.3	235	BSW
	P245/65R17	105	T	460AB	7J	7 1/2J;8J;8 1/2J	2094	950	35	240	13	10.3	29.8	758	9.6	243	BSW
	P265/65R17	110	T	460AB	8J	7 1/2J;8 1/2J	2337	2337	35	240	13	10.3	30.6	776	10.4	265	BSW
	P235/65R18	104	T	460AB	7J	6 1/2J;7 1/2J	1984	900	44	300	13	10.3	30.0	763	9.4	240	OWL
70	P215/70R16	99	T	460AA	6 1/2J	6J;7J	1709	775	35	240	13	10.3	27.9	708	8.5	215	BSW
	P225/70R16	101	T	460AB	6 1/2J	6J;7J	1819	825	35	240	13	10.3	28.4	722	8.9	225	OWL
	P235/70R16	104	T	460AB	7J	6 1/2J;7 1/2J	1984	900	35	240	13	10.3	29.0	736	9.3	235	OWL
	P255/70R16	109	T	460AB	7 1/2J	7J;8J	2271	1030	35	240	13	10.3	30.1	764	10.0	255	OWL
	P265/70R16	111	T	460AB	8J	7 1/2J;8 1/2J	2403	1090	35	240	13	10.3	30.6	778	10.4	265	OWL
	P235/70R17	108	S	460AB	7J	6J;6 1/2J;7 1/2J;8J	2205	1000	50	340	13	10.3	30.0	762	9.4	240	OWL
	P245/70R17	108	T	460AB	7J	6 1/2J;7 1/2J	2205	1000	35	240	13	10.3	30.6	776	9.8	248	OWL
75	P265/70R17	113	T	460AB	8J	7 1/2J;8 1/2J	2535	1150	35	240	13	10.3	31.7	804	10.4	265	OWL
	P235/75R15	105	T	460AB	6 1/2J	6J;7J	2028	920	35	240	13	10.3	28.9	733	9.3	235	OWL
	P235/75R16	106	T	460AB	6 1/2J	6J;7J	2094	950	35	240	13	10.3	29.8	758	9.3	235	BSW
	P245/75R16	109	T	460AB	7J	6 1/2J;7 1/2J	2271	1030	35	240	13	10.3	29.3	774	9.6	245	OWL
70	P265/75R16	114	T	460AB	7 1/2J	7J;8J	2601	1180	35	240	13	10.3	31.7	804	10.4	265	OWL
	LT30X9.50R15	104	R	C	7 1/2J	7J;8J;8 1/2J	1985	900	50	350	16	12.7	29.5	750	9.7	248	OWL
	LT31X10.50R15	109	R	C	8 1/2J	7 1/2J;8J;9J	2270	1030	51	350	16	12.7	30.7	781	10.6	268	OWL
	LT245/70R17	119/ 116	R	E	7J	6 1/2J;7 1/2J	3000/ 2755	1360/ 1250	80	550	15	11.9	30.6	776	9.8	248	BSW
75	LT265/70R17	121/ 118	R	E	8J	7 1/2J;8 1/2J	3195/ 2910	1450/ 1320	80	550	15	11.9	31.7	804	10.7	272	OWL
	LT235/75R15	104/ 101	R	C	6 1/2J	6JK;6J;7J	1985/ 1820	900/ 825	51	350	15	11.9	29.0	737	9.3	235	OWL
	LT225/75R16	115/ 112	R	E	6J	6K;6 1/2K;6 1/2L; 6 1/2J	2680/ 2470	1215/ 1120	80	550	15	11.9	29.3	774	8.8	223	BSW
	LT245/75R16	120/ 116	R	E	7J	6 1/2K;6 1/2L; 6 1/2J;7 1/2J	3042/ 2780	1380/ 1260	80	550	15	11.9	29.3	774	9.8	248	OWL
85	LT265/75R16	119/ 116	R	D	7 1/2J	7K;7L;7J;8L;8J	3000/ 2755	1360/ 1250	65	450	15	11.9	31.7	804	10.5	267	OWL
	LT235/85R16	120/ 116	R	E	6 1/2J	6J;6K;6L; 6 1/2L;7J;7K;7L	3042/ 2778	1380/ 1260	80	550	15	11.9	31.7	806	9.3	235	BSW

LI Load Index SR Speed Rating OWL Outlined White Letter BSW Black Side Wall

USA 1-866-488-4737 (runway-us.com) CANADA 1-888-890-0051 (runway-ca.com)